



[REDACTED]
FORSYTH, GA 31029

INSTALLATION INSTRUCTIONS FOR: 1955-59 CHEVROLET PICKUP

1. Remove the inner door handle, window handle, and trim pad or upper panel.
2. Remove the existing window regulator. It is easier to do this by removing the vent glass assembly first.
3. Remove the door glass. This is a good time to install new window felts, division bar felt, and dust belts.
4. Remove the lower glass stop from the inside of the door. Cut the stop as close to the inner panel of the door as possible. A good tool for this is a jab saw (NAPA part # HSF -10).
5. Install the window channel adapter onto the existing lower glass frame. Center the adapter onto the lower glass frame. Use the adapter as a template and drill two 3/16 holes in the lower glass frame. Use the supplied 8-32 x 1/2 bolts and nuts to attach the adapter channel to the lower glass frame (see page 4).
6. Cut a relief hole for the switches where the crank stems use to protrude through (If this is where you are going to mount the switches.) Install provided plastic edge guard on edges of these holes to prevent possible electrical shorting.
7. The inner door skin is doubled walled where you are going to mount the power window regulator. Drill a pilot hole 10 1/4" from the rear edge of the door, and 7/8" up from the access hole in the door (see page 3). Drill a second pilot hole at 10 1/4" from the rear edge of the door and 2 3/4" down from the access hole in the door. Drill the outer panel, the panel that you see, with a 7/8" hole saw and drill the inner panel holes with a 5/16" drill bit. Drill a lower 5/16" mounting hole at 12 3/4" down from the access hole and 10 1/4" from the rear edge of the door.
8. Attach the lift bar assembly to the window glass adapter (see pg. 4).
9. Place the door glass in the door.
10. Install the vent glass assembly.
11. With the door glass at the top of the window opening, install the power window regulator in the door.

12. Bolt the lift bar assembly to the slider on the window regulator.

13. Adjust the regulator as needed. Use the motor test lead to run regulators. Connect the white wire to -12vdc and the black wire to +12vdc to run the regulator up. Reverse wires to run the regulator down.

DO NOT USE A BATTERY CHARGER TO TEST WINDOWS. USE A FULLY CHARGED BATTERY OR A 12VOLT 20 AMP POWER SUPPLY.

14. Install the FWC (Flexible Wire Conduits) at location shown on page 5. Drill a 3/4" hole in the Hinge / Cowl Pillar for the smaller rubber grommet to fit into for holding of the conduit spring. **This hole will have to be in perfect alignment with the hole that will be in the door.** You can do your alignment at this time with your pilot hole. Drill your pilot hole all the way through and into the door with the door shut. Put a light lubricant (such as Windex) on the spring part of the FWC and push while twisting to insert it into the rubber grommet.

Drill a 15/16" hole in the front edge of the door. This hole is for the nylatron bushing. The bushing is held into place by the large rubber grommet. The grommet does not fit into the hole. It slides over the rear of the bushing to prevent it from pulling out. The conduit spring slides in and out of the bushing as the door is opened and closed.

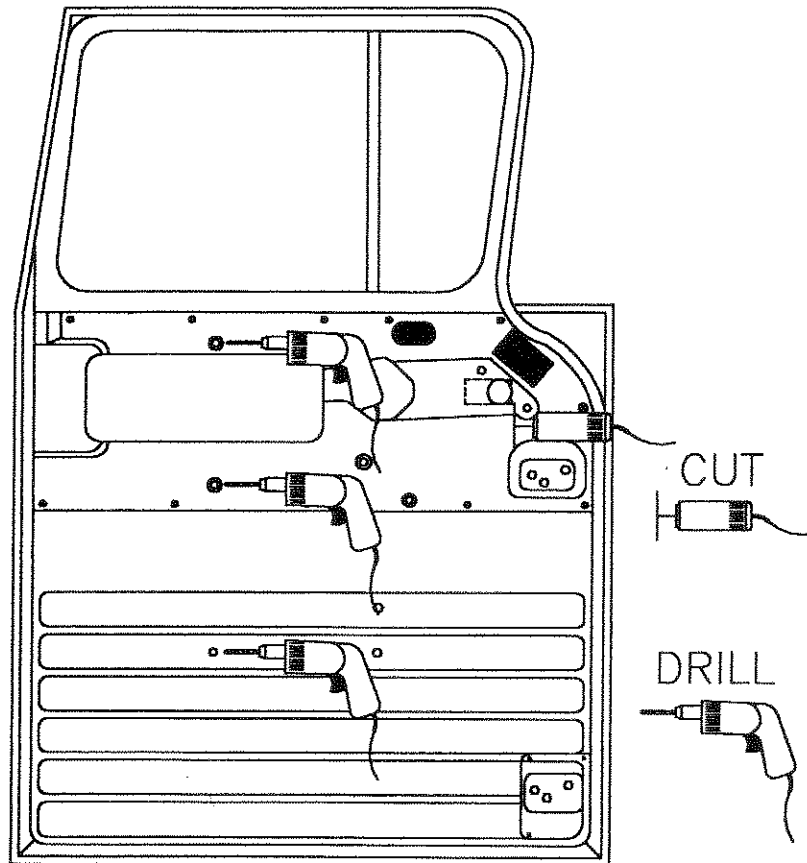
15. Install the Power Window Switches in the desired location and connect the wiring per the wiring diagram on page 6.

**WE CANNOT ACCEPT THE RETURN OF ANY PRODUCT WITHOUT
A RETURN GOODS AUTHORIZATION ISSUED BY US.
CONTACT OUR TECH HELP / WARRANTY DEPARTMENT
AT 478-994-9248 1:30-5:00PM EASTERN.**



SPECIALTY POWER WINDOWS®

1955-59 CHEVY TRUCK DOOR



Pic. 1

All measurements are to the centers of the holes.

Mounting holes are 5/16". Outer holes on double walled panels are 7/8".

Drill pilot holes and outer panel holes first.

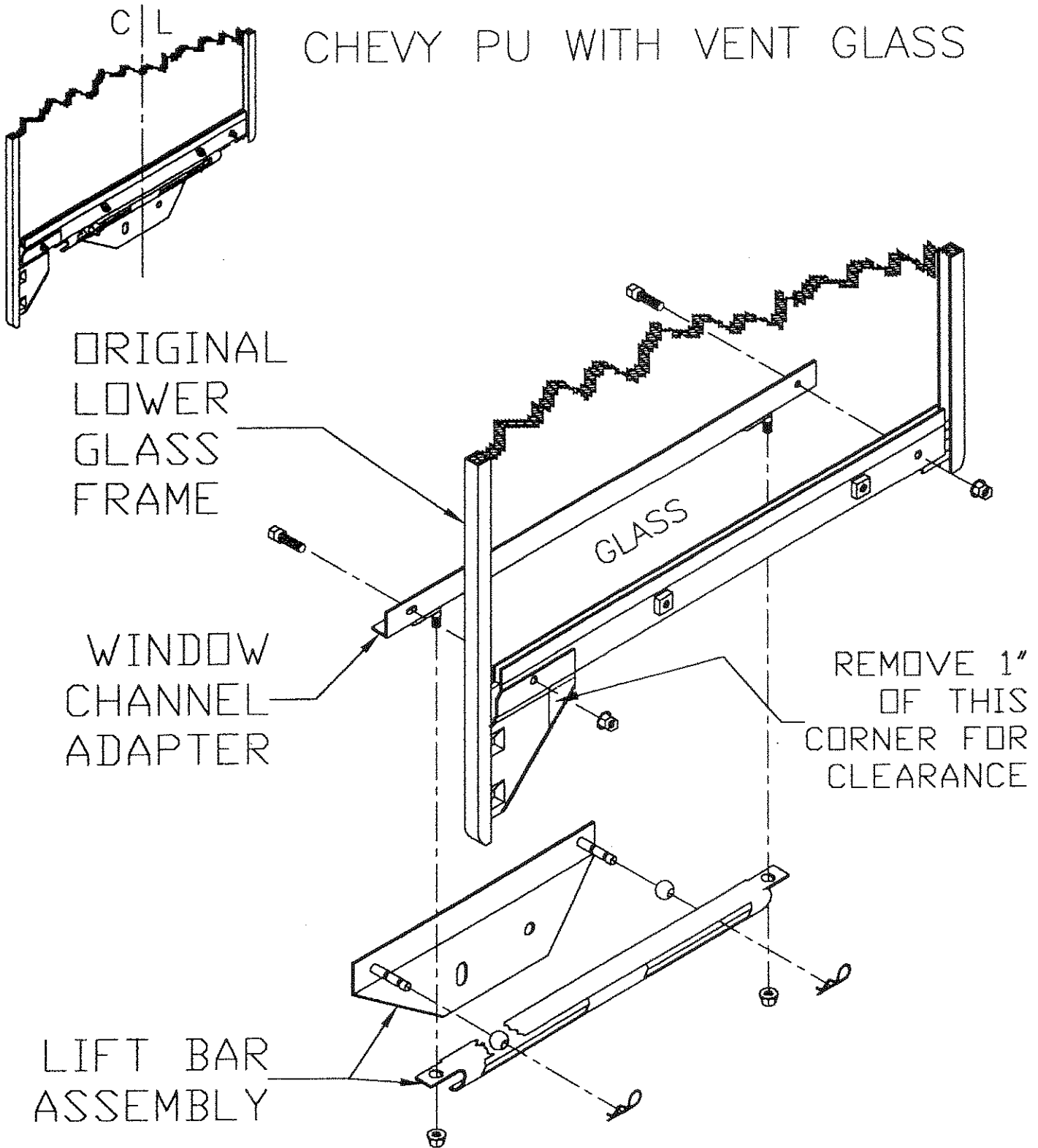
The top hole is 10 1/4" from the rear edge of the door jamb and 7/8" from the top edge of the access hole. This hole is through a double panel.

The second hole is 10 1/4" from the rear edge of the door jamb and 2 3/4" down from the lower edge of the access hole. This hole is through a double panel.

The third hole is 10 1/4" from the rear edge of the door jamb and 12 3/4" down from the lower edge of the access hole. This is a single panel. Only drill 5/16" hole.

LIFT BAR ASSEMBLY FOR 1955-59

CHEVY PU WITH VENT GLASS



SHOWN FROM OUTSIDE OF VEHICLE LOOKING TO INSIDE



INSTALLING FWC

The hole in the pillar for the small rubber grommet should be located as follows:

1 5/8" from edge of pillar to center (see A above).

8" from top of hinge strap to center (see B above).

See page 2, item 14, for detailed instructions.



SPECIALTY POWER WINDOWS®

WIRING FOR TWO WINDOWS

WINDOW LIFT MOTORS

LEFT FRONT

RIGHT FRONT

